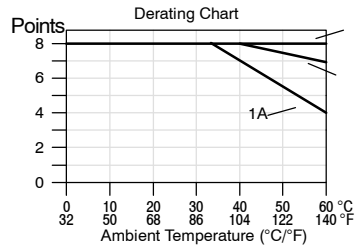


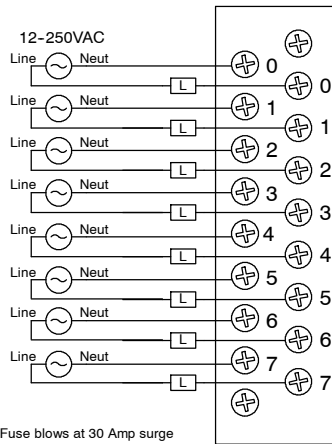
F3-08TAS AC Output

Outputs per module	8 (500V point to point isolation)
Commons per module	8 (isolated)
Operating voltage	12-125VAC, 125-250VAC requires external fuses
Output type	SSR Array (TRIAC)
Peak Voltage	400 VAC
AC frequency	47-440 Hz
On voltage drop	1VAC @ 1A
Maximum current	1A / point
Maximum leakage current	10 μ A @ 240 VAC
Maximum inrush current*	20 A for 16 ms 3A for 100 ms
Minimum load	0.5 mA
Base power required	9V 10mA / ON pt. (80mA Max) 24V N/A
OFF to ON response	8ms Max
ON to OFF response	8ms Max
Terminal type	Removable
Status indicators	Logic Side
Weight	N/A
Fuses	8 (1 per common) 5A, 125V fast blow Order D3-FUSE-4 (5 per pack)



Motor starters up to and including a NEMA size 3 can be used with this module.

0.5A
0.75A



*Fuse blows at 30 Amp surge

